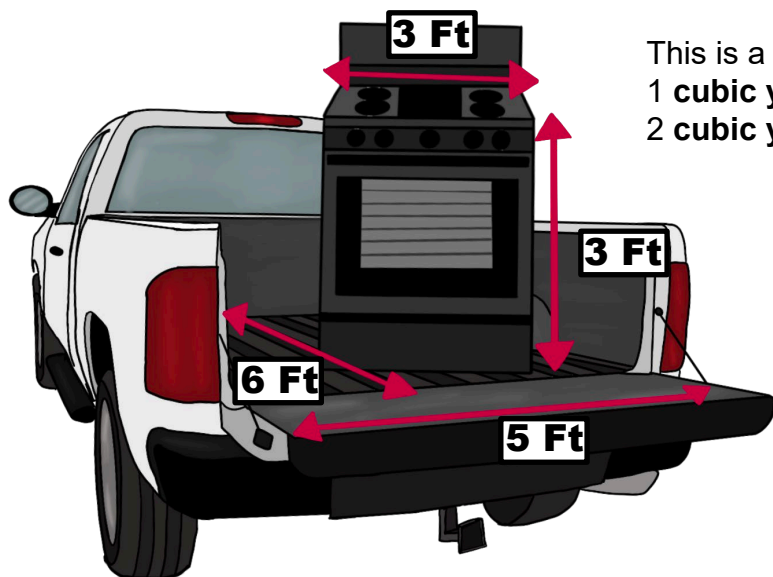


# COLLECTION OF BULKY ITEMS / BUNDLED BRUSH / OTHER BUNDLES

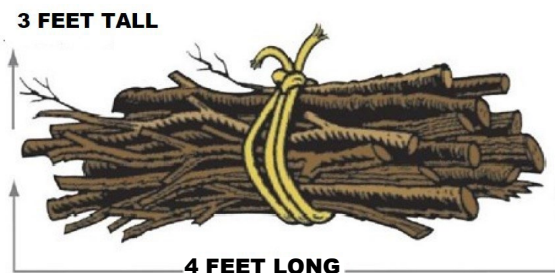
Items will be collected **ONCE** per week on your designated collection day.  
Refer to the attached map page for your scheduled day.

## **BULKY WASTE / BUNDLED ITEM COLLECTION GUIDELINES:**

- \* Weight of Bulky Items: Individual Bulky items must light enough to be loaded into refuse vehicle by two workers.
  - \* Residents are allowed to set out for collection - **2 yards** of BULKY WASTE per week (refer to diagram of 1 and 2 cubic yards below)
  - \* Residents can set out acceptable BULKY items that are no larger than 3 feet by 3 feet by 4 feet
  - \* Please place smaller items in a container or box suitable for lifting items into refuse vehicle
  - \* Please bundle items such as newspapers, old rugs or small sections of carpet, small limbs
  - \* Please tie and bundle brush into 4-foot-long bundles. This is to be included in your 2-yard limit.
- BAGGED YARD WASTE (leaves/grass) may be placed in your cart on your scheduled pickup day with the lid closed.



This is a *general guideline* for determining *bulk sizing*.  
1 cubic yard is equivalent to the size of a **stove**.  
2 cubic yards is equivalent to the size of a **standard truck bed**.



**Maximum Width: 4 Feet**  
**Maximum Weight: 40 Lbs**  
**Maximum Diameter of Branch: 4 Inches**

## **ACCEPTABLE BULKY ITEMS INCLUDE:**

- \* Furniture such as tables, sofas, chairs, lawn furniture
- \* Appliances such as washing machines, dryers, stoves, water heaters, etc..
- \* Misc. items including TV's, large toys, basketball goals, sports equipment, bikes, kid's toys must be labeled "bulky item" so they are not mistakenly put into trash truck.
- \* Refrigerators/Freezers/AC Units: Items MUST be tagged with proof of freon removal by certified technician in order to collect

## **BULKY ITEMS NOT ACCEPTED INCLUDE:**

- \* No construction materials from remodeling projects—must call Frontier to get a quote on roll off container or special pickup
- \* No dirt, bricks, rock, concrete, sand, or shingles
- \* No stumps or tree limbs larger than 4 inches in diameter – must be split into 4 inch diameter.
- \* Brush or large limbs
- \* No batteries, tires, pressurized tanks (ex: propane, helium, oxygen, acetylene)
- \* No oils of any kind, gas/diesel/fuel, paint, chemicals, solvents, other hazardous materials, etc..

**UNUSUAL ACCUMULATIONS OF BULKY WASTE / REMODELING / CONSTRUCTION DEBRIS / RESIDENT MOVEOUT DEBRIS / BRUSH:** If you have a large amount of bulk waste, brush, or construction materials from a project, please contact FRONTIER WASTE to receive an estimate for delivery of a construction dumpster to accommodate your project.

**PLEASE CALL or EMAIL FRONTIER WASTE FOR A QUOTE AT**  
**(888)-854-2905 / [mineralwells@frontierwaste.com](mailto:mineralwells@frontierwaste.com)**